

SERVICE AVOIDANCE + DEPTH

e-safe⁺™

electronic Service avoidance for everyone

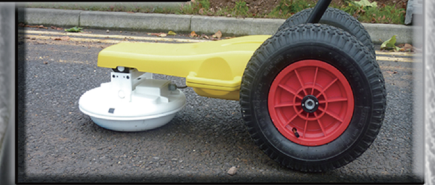
Simple warning scale for likelihood of ANY service presence

HIGH CAUTION LOW



Including:

Fibre Optic, HDPE, MDPE
Asbestos, Brick, Clay, PVC
Balanced HV, Pot ended
& Direct current cables



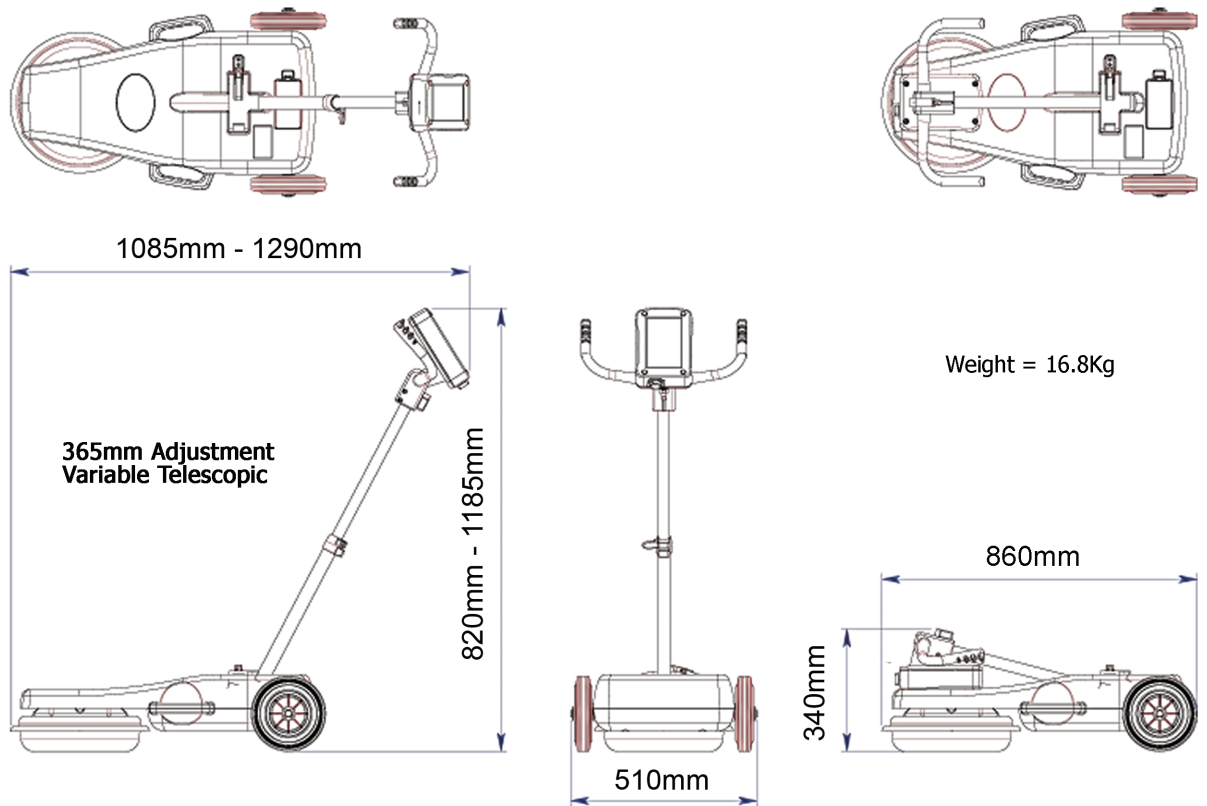
NEW FEATURES

ONE touch Depth estimation
4 Level CHRONOS MASKING
Off Road MAX Option



 TAKACHIHO SANGYO CO., LTD.

Dimensions



Main Features

Antenna Type & Frequency Range	Ground contact X-Polar 135MHz - 835MHz
Sensitivity (threshold) adjustment	16 operator adjustable increments (default 8)
Chronos Masking - 4 Levels + All (% attained depth)	Shallowest 16%; 32%, Deepest 68%; 84%
Detection Range (Average conditions)	50mm - 1500mm subject to soil/environmental change
Depth Estimation (with Safety Protocol)	Nearest 0.1 metres +/- 0.1 metres
Depth Estimation (with Safety Protocol overridden)	Nearest 0.1 metres +/- 0.3 - 0.5 metres
Display Screen	High Contrast 177mm Portrait Sunlight readable LCD
Display Angle Adjustment	90 Degrees Operator adjustable tilt
Battery Type	Removable 16.4v Lithium-ion Rechargeable Pod
Battery Life	3-5 hrs Full charge (temperature dependant)
Battery Charging	External (110v-220v AC) charger 2-6 hrs
Ambient Operating Temperature Range	Minus 10 Degrees Celsius to Plus 50 Degrees Celsius

Head Office

Your Local Contact

 **TAKACHIHO SANGYO CO., LTD.**

10-1, Ehigashi, Higashi-Machi,
Iwakura-Shi, Aichi 482-0041, Japan

TEL :+81-587-37-7771

FAX :+81-587-37-7766

Email:hirokazu-ito@takachiho-sc.co.jp